

# ARGO WEATHERPROOF



## Switchable Colour and Dual Output Weatherproof Batten Range

The ARGO Weatherproof is the perfect all-rounder when it comes to projects requiring a reliable, weatherproof batten. With IP65 and IK08 impact ratings combined with switchable colour and output, the ARGO provides greater flexibility on each project.

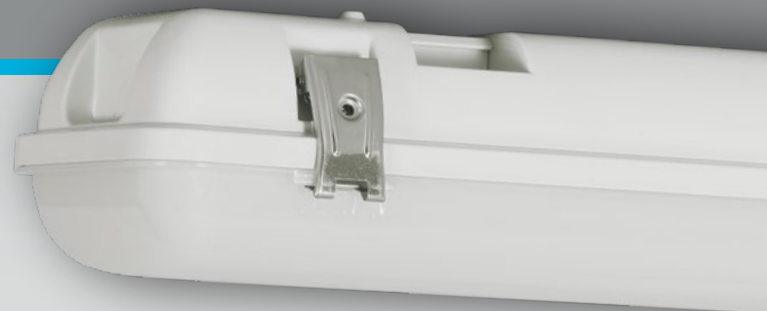
The emergency version contains market-leading Lithium Iron Phosphate battery technology and testing options are available with the LP range. Packed with features at the right price and backed by Clevertronics reliability. You won't be let down by the ARGO.

### Applications

- |   |   |
|---|---|
|  Car Parks   |  Corridors     |
|  Stairwells  |  Back of House |
|  Fire Stairs |   |

**TRADE**  
SERIES  
THE TRADES CHOICE

**LP** LITHIUM IRON  
PHOSPHATE  
PREMIUM  
PREMIUM PROJECT PERFORMANCE



### Features and Benefits

- AS/NZS 2293.3 compliant
- IP65
- Long life, energy efficient LED strip module
- Switchable colour (3000K / 4000K / 5700K)
- Switchable output (varies by model)
- Lithium (LiFePO<sub>4</sub>) battery technology
- Quick connect surface mount brackets and on-carton mounting template
- Large terminal block for easy installation
- IPART/VEU approval



# ARGO WEATHERPROOF 600MM

## SWITCHABLE COLOUR

# ARGO WEATHERPROOF 600MM

## SWITCHABLE COLOUR

| ORDERING INFORMATION     | EMERGENCY (TS)       | EMERGENCY (LP)   | STANDARD     |
|--------------------------|----------------------|------------------|--------------|
| Nominal Size             | 600mm                | 600mm            | 600mm        |
| Standard                 | ARGO-600-EM          | ARGO-600-LP      | ARGO-600     |
| DALI Driver              | No                   |                  |              |
| Motion Sensors           | ARGO-600-SEN-EM      | ARGO-600-SEN-LP  | ARGO-600-SEN |
| CTP System Compatible    | No                   | Yes              | -            |
| DALI*                    | -                    | ARGO-600-LP-DALI | -            |
| Zoneworks XT HIVE*       | -                    | ARGO-600-LP-HV   | -            |
| Carton Quantity          | 1                    |                  |              |
| Weight - Single (Carton) | 1.5kg                | 1.5kg            | 1.25kg       |
| Dimensions (L X W X H)   | 655mm x 121mm x 88mm |                  |              |

\* For motion sensor version add -SEN to the product code as per following example: ARGO-600-SEN-LP-DALI

| TECHNICAL SPECIFICATIONS            | EMERGENCY (TS)   | EMERGENCY (LP) | STANDARD |
|-------------------------------------|--|----------------|----------|
| Construction - Base                 | UV Stabilised Polycarbonate                              |                |          |
| Construction - Diffuser             | UV Stabilised Polycarbonate                              |                |          |
| Voltage (V) (Frequency (Hz))        | 220-240V(50Hz)   |                |          |
| Power Consumption (Standby / Max) ♦ | (See Table on Next Page)                                 |                |          |
| Lamp ♦                              | Dual LED Strip Module                                    |                |          |
| Lamp(s) (CCT / Life)                | 3000K, 4000K, 5700K / 50,000hrs (L70 / B50, Ra>80 Ta40c) |                |          |
| Nominal Total Light Output ♦        | (See Table on Next Page)                                 |                |          |
| Ingress Protection Rating (IP)      | IP65   |                |          |
| Impact Rating (IK)                  | IK08   |                |          |

♦ Please refer to the specific product data sheet for actual power, light output, lamp lifetime and driver values.

| EMERGENCY SPECIFICATIONS | EMERGENCY (TS)                               | EMERGENCY (LP) |
|--------------------------|--|----------------|
| Operating Mode           | Sustained                                    |                |
| Battery Configuration    | Integral                                     |                |
| Battery Type             | Lithium Iron Phosphate                       |                |
| Voltage / mAh            | 3.2V / 3000mAh                               |                |
| Charging Method          | Intelligent Current Limited Constant Voltage |                |

| CLASSIFICATIONS | EMERGENCY (TS) | EMERGENCY (LP) |
|-----------------|----------------|----------------|
| C0              | D40            | D40            |
| C90             | D25            | D25            |

| SPACING TABLE & MOUNTING HEIGHTS - AS / NZS 2293.1:2018 (MINIMUM LIGHT LEVEL OF 0.2 LUX) |      |      |      |      |      |      |      |      |      |      |      |      |
|--|------|------|------|------|------|------|------|------|------|------|------|------|
| Classification   | 2.1m | 2.4m | 2.7m | 3.0m | 3.3m | 3.6m | 4.0m | 4.5m | 5.0m | 6.0m | 7.0m | 8.0m |
| D25  | 11.5 | 13.2 | 14.8 | 15.7 | 16.1 | 16.4 | 16.8 | 17.3 | 17.6 | 18.1 | 18.3 | 18.2 |
| D40  | 11.5 | 13.2 | 14.8 | 16.5 | 18.1 | 19.5 | 20.1 | 20.7 | 21.2 | 22.1 | 22.6 | 23.0 |

For 1 lux and AS/NZS 2293.1:2005 spacing tables please visit: <https://clevertronics.com.au/spacing-tables/>

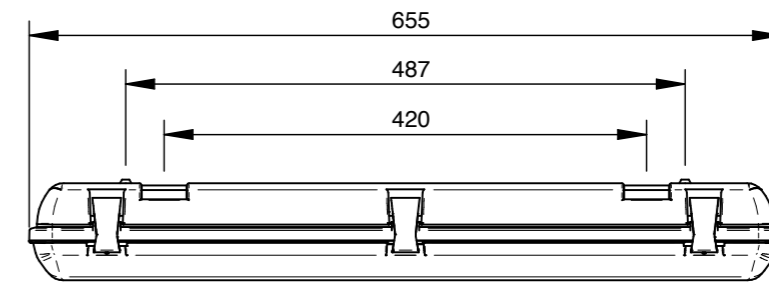
\*Warranty information located at: <https://clevertronics.com.au/warranty-statement/>

### NO SENSOR

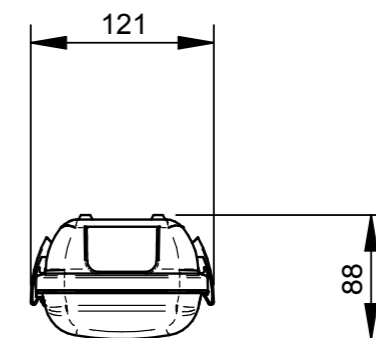
| POWER CONSUMPTION | Standby Charge / Main Lamp On |       |       | Main Lamp On |        |        | LUMEN OUTPUT |         |         | LUMENS / WATT |  |  |
|-------------------|-------------------------------|-------|-------|--------------|--------|--------|--------------|---------|---------|---------------|--|--|
|                   | OUTPUT (700mA)                | TS    | LP    | STANDARD     | TS     | LP     | STANDARD     | TS      | LP      | STANDARD      |  |  |
| 3000K             | 19.0W                         | 19.0W | 19.0W | 19.0W        | 1950lm | 1950lm | 1950lm       | 103lm/W | 103lm/W | 103lm/W       |  |  |
| 4000K DEFAULT     | 18.0W                         | 18.0W | 18.0W | 18.0W        | 2150lm | 2150lm | 2150lm       | 119lm/W | 119lm/W | 119lm/W       |  |  |
| 5700K             | 19.0W                         | 19.0W | 19.0W | 19.0W        | 2040lm | 2040lm | 2040lm       | 107lm/W | 107lm/W | 107lm/W       |  |  |

### SENSOR

| POWER CONSUMPTION | "Standby Charge / Main Lamp On" |       |       | Main Lamp On |      |      | "Standby Charge / Main Lamp On @ Min. 10%" |        |        | "Main Lamp On @ Min. 10%" |         |         | LUMEN OUTPUT |    |    | LUMENS / WATT |  |  |
|-------------------|---------------------------------|-------|-------|--------------|------|------|--|--------|--------|---------------------------|---------|---------|--------------|----|----|---------------|--|--|
|                   | OUTPUT (700mA)                  | TS    | LP    | STANDARD     | TS   | LP   | STANDARD                                   | TS     | LP     | STANDARD                  | TS      | LP      | STANDARD     | TS | LP | STANDARD      |  |  |
| 3000K             | 20.0W                           | 20.0W | 19.0W | 2.0W         | 2.0W | 2.0W | 2.0W                                       | 1950lm | 1950lm | 1950lm                    | 97lm/W  | 97lm/W  | 103lm/W      |    |    |               |  |  |
| 4000K DEFAULT     | 19.0W                           | 19.0W | 19.0W | 2.0W         | 2.0W | 2.0W | 2.0W                                       | 2150lm | 2150lm | 2150lm                    | 113lm/W | 113lm/W | 113lm/W      |    |    |               |  |  |
| 5700K             | 20.0W                           | 20.0W | 19.0W | 2.0W         | 2.0W | 2.0W | 2.0W                                       | 2040lm | 2040lm | 2040lm                    | 102lm/W | 102lm/W | 107lm/W      |    |    |               |  |  |



Dimensions (mm)



# ARGO WEATHERPROOF 1200MM

SWITCHABLE COLOUR & DUAL OUTPUT

| ORDERING INFORMATION     | EMERGENCY (TS)        | EMERGENCY (LP)    | STANDARD      |
|--------------------------|-----------------------|-------------------|---------------|
| Nominal Size             | 1200mm                | 1200mm            | 1200mm        |
| Standard                 | ARGO-1200-EM          | ARGO-1200-LP      | ARGO-1200     |
| DALI Driver              | No                    |                   |               |
| Motion Sensors           | ARGO-1200-SEN-EM      | ARGO-1200-SEN-LP  | ARGO-1200-SEN |
| CTP System Compatible    | No                    | Yes               | -             |
| DALI*                    | -                     | ARGO-1200-LP-DALI | -             |
| Zoneworks XT HIVE*       | -                     | ARGO-1200-LP-HV   | -             |
| Carton Quantity          | 1                     |                   |               |
| Weight - Single (Carton) | 2.6kg                 | 2.6kg             | 2.3kg         |
| Dimensions (L X W X H)   | 1265mm x 121mm x 88mm |                   |               |

\* For motion sensor version add -SEN to the product code as per following example: ARGO-1200-SEN-LP-DALI

| TECHNICAL SPECIFICATIONS            | EMERGENCY (TS)   | EMERGENCY (LP) | STANDARD |
|-------------------------------------|--|----------------|----------|
| Construction - Base                 | UV Stabilised Polycarbonate                              |                |          |
| Construction - Diffuser             | UV Stabilised Polycarbonate                              |                |          |
| Voltage (V) (Frequency (Hz))        | 220-240V(50Hz)   |                |          |
| Power Consumption (Standby / Max) ♦ | (See Table on Next Page)                                 |                |          |
| Lamp ♦                              | Dual LED Strip Module                                    |                |          |
| Lamp(s) (CCT / Life)                | 3000K, 4000K, 5700K / 50,000hrs (L70 / B50, Ra>80 Ta40c) |                |          |
| Nominal Total Light Output ♦        | (See Table on Next Page)                                 |                |          |
| Ingress Protection Rating (IP)      | IP65   |                |          |
| Impact Rating (IK)                  | IK08   |                |          |
| Energy Approvals                    | IPART/VEU  |                |          |

♦ Please refer to the specific product data sheet for actual power, light output, lamp lifetime and driver values.

| EMERGENCY SPECIFICATIONS | EMERGENCY (TS)                               | EMERGENCY (LP) |
|--------------------------|--|----------------|
| Operating Mode           | Sustained                                    |                |
| Battery Configuration    | Integral                                     |                |
| Battery Type             | Lithium Iron Phosphate                       |                |
| Voltage / mAh            | 3.2V / 3000mAh                               | 3.2V / 6400mAh |
| Charging Method          | Intelligent Current Limited Constant Voltage |                |

| CLASSIFICATIONS | EMERGENCY (TS) | EMERGENCY (LP) |
|-----------------|----------------|----------------|
| C0              | D50            | D63            |
| C90             | D32            | D40            |

| SPACING TABLE & MOUNTING HEIGHTS - AS / NZS 2293.1:2018 (MINIMUM LIGHT LEVEL OF 0.2 LUX) |      |      |      |      |      |      |      |      |      |      |      |      |
|--|------|------|------|------|------|------|------|------|------|------|------|------|
| Classification   | 2.1m | 2.4m | 2.7m | 3.0m | 3.3m | 3.6m | 4.0m | 4.5m | 5.0m | 6.0m | 7.0m | 8.0m |
| D32  | 11.5 | 13.2 | 14.8 | 16.5 | 17.6 | 18.0 | 18.5 | 19.0 | 19.5 | 20.1 | 20.5 | 20.7 |
| D40  | 11.5 | 13.2 | 14.8 | 16.5 | 18.1 | 19.5 | 20.1 | 20.7 | 21.2 | 22.1 | 22.6 | 23.0 |
| D50  | 11.5 | 13.2 | 14.8 | 16.5 | 18.1 | 19.8 | 21.8 | 22.5 | 23.1 | 24.1 | 24.9 | 25.4 |
| D63  | 11.5 | 13.2 | 14.8 | 16.5 | 18.1 | 19.8 | 22.0 | 24.5 | 25.2 | 26.4 | 27.3 | 28.0 |

■ Care should be taken when spacing luminaires at the distances indicated by the shaded regions to ensure conformance to AS/NZS2293.1, Clause 4.3 is maintained. A single emergency luminaire shall not serve an area of greater than 500 m<sup>2</sup>.

For 1 lux and AS/NZS 2293.1:2005 spacing tables please visit: <https://clevertronics.com.au/spacing-tables/>

\*Warranty information located at: <https://clevertronics.com.au/warranty-statement/>

All product data is current as at the version date of the document. We reserve the right to change product design, specifications or materials (Specifications) as part of our continuous improvement program. Please confirm the applicable Specifications at the time of placing your order.

# ARGO WEATHERPROOF 1200MM

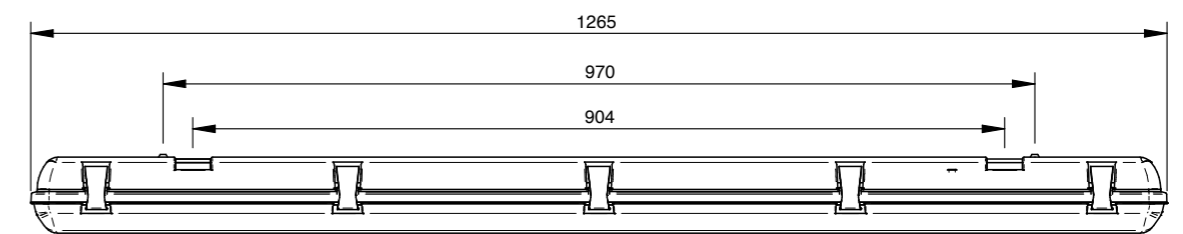
SWITCHABLE COLOUR & DUAL OUTPUT

## NO SENSOR

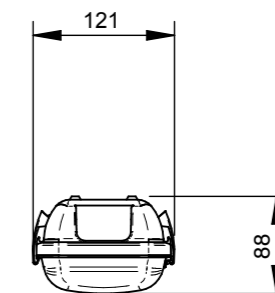
| POWER CONSUMPTION | Standby Charge / Main Lamp On |       |       | LUMEN OUTPUT |        |        | LUMENS / WATT |         |         |          |
|-------------------|-------------------------------|-------|-------|--------------|--------|--------|---------------|---------|---------|----------|
|                   | OUTPUT 2 (700mA)              | TS    | LP    | STANDARD     | TS     | LP     | STANDARD      | TS      | LP      | STANDARD |
| 3000K             |                               | 39.2W | 38.0W | 38.6W        | 4190lm | 3819lm | 4190lm        | 107lm/W | 100lm/W | 108lm/W  |
| 4000K DEFAULT     |                               | 37.4W | 36.0W | 36.8W        | 4608lm | 4318lm | 4608lm        | 123lm/W | 120lm/W | 125lm/W  |
| 5700K             |                               | 38.9W | 38.0W | 38.3W        | 4350lm | 4100lm | 4350lm        | 112lm/W | 108lm/W | 113lm/W  |
| OUTPUT 1 (350mA)  |                               |       |       |              |        |        |               |         |         |          |
| 3000K             |                               | 19.1W | 20.0W | 18.2W        | 2282lm | 2260lm | 2282lm        | 119lm/W | 113lm/W | 125lm/W  |
| 4000K             |                               | 18.6W | 19.0W | 18.7W        | 2412lm | 2431lm | 2412lm        | 130lm/W | 128lm/W | 129lm/W  |
| 5700K             |                               | 19.0W | 20.0W | 18.6W        | 2355lm | 2400lm | 2355lm        | 124lm/W | 120lm/W | 126lm/W  |

## SENSOR

| POWER CONSUMPTION | "Standby Charge / Main Lamp On" |       |       | "Standby Charge / Main Lamp On @ Min. 10%" |      |      | "Main Lamp On @ Min. 10%" |        |        | LUMEN OUTPUT |         |         | LUMENS / WATT |    |    |          |
|-------------------|---------------------------------|-------|-------|--|------|------|---------------------------|--------|--------|--------------|---------|---------|---------------|----|----|----------|
|                   | OUTPUT 2 (700mA)                | TS    | LP    | STANDARD                                   | TS   | LP   | STANDARD                  | TS     | LP     | STANDARD     | TS      | LP      | STANDARD      | TS | LP | STANDARD |
| 3000K             |                                 | 38.3W | 39.0W | 38.0W                                      | 3.1W | 3.0W | 2.7W                      | 4137lm | 3819lm | 4137lm       | 108lm/W | 98lm/W  | 109lm/W       |    |    |          |
| 4000K DEFAULT     |                                 | 36.4W | 37.0W | 36.1W                                      | 3.1W | 3.0W | 2.7W                      | 4529lm | 4318lm | 4529lm       | 124lm/W | 116lm/W | 125lm/W       |    |    |          |
| 5700K             |                                 | 37.9W | 39.0W | 37.6W                                      | 3.1W | 3.0W | 2.7W                      | 4282lm | 4100lm | 4282lm       | 114lm/W | 105lm/W | 114lm/W       |    |    |          |



Dimensions (mm)



All product data is current as at the version date of the document. We reserve the right to change product design, specifications or materials (Specifications) as part of our continuous improvement program. Please confirm the applicable Specifications at the time of placing your order.

# ARGO WEATHERPROOF 1500MM

SWITCHABLE COLOUR & DUAL OUTPUT

| ORDERING INFORMATION     | EMERGENCY (TS)        | EMERGENCY (LP)    | STANDARD      |
|--------------------------|-----------------------|-------------------|---------------|
| Nominal Size             | 1500mm                | 1500mm            | 1500mm        |
| Standard                 | ARGO-1500-EM          | ARGO-1500-LP      | ARGO-1500     |
| DALI Driver              | No                    |                   |               |
| Motion Sensors           | ARGO-1500-SEN-EM      | ARGO-1500-SEN-LP  | ARGO-1500-SEN |
| CTP System Compatible    | No                    | Yes               | -             |
| DALI*                    | -                     | ARGO-1500-LP-DALI | -             |
| Zoneworks XT HIVE*       | -                     | ARGO-1500-LP-HV   | -             |
| Carton Quantity          | 1                     |                   |               |
| Weight - Single (Carton) | 3.1kg                 | 3.1kg             | 2.8kg         |
| Dimensions (L X W X H)   | 1565mm x 121mm x 88mm |                   |               |

\* For motion sensor version add -SEN to the product code as per following example: AARGO-1500-SEN-LP-DALI

| TECHNICAL SPECIFICATIONS            | EMERGENCY (TS)   | EMERGENCY (LP) | STANDARD |
|-------------------------------------|--|----------------|----------|
| Construction - Base                 | UV Stabilised Polycarbonate                              |                |          |
| Construction - Diffuser             | UV Stabilised Polycarbonate                              |                |          |
| Voltage (V) (Frequency (Hz))        | 220-240V(50Hz)   |                |          |
| Power Consumption (Standby / Max) ♦ | (See Table on Next Page)                                 |                |          |
| Lamp ♦                              | Dual LED Strip Module                                    |                |          |
| Lamp(s) (CCT / Life)                | 3000K, 4000K, 5700K / 50,000hrs (L70 / B50, Ra>80 Ta40c) |                |          |
| Nominal Total Light Output ♦        | (See Table on Next Page)                                 |                |          |
| Ingress Protection Rating (IP)      | IP65   |                |          |
| Impact Rating (IK)                  | IK08   |                |          |
| Energy Approvals                    | -  |                |          |

♦ Please refer to the specific product data sheet for actual power, light output, lamp lifetime and driver values.

| EMERGENCY SPECIFICATIONS | EMERGENCY (TS)                               | EMERGENCY (LP) |
|--------------------------|--|----------------|
| Operating Mode           | Sustained                                    |                |
| Battery Configuration    | Integral                                     |                |
| Battery Type             | Lithium Iron Phosphate                       |                |
| Voltage / mAh            | 3.2V / 3000mAh                               | 3.2V / 6400mAh |
| Charging Method          | Intelligent Current Limited Constant Voltage |                |

| CLASSIFICATIONS | EMERGENCY (TS) | EMERGENCY (LP) |
|-----------------|----------------|----------------|
| C0              | D50            | D63            |
| C90             | D32            | D40            |

| SPACING TABLE & MOUNTING HEIGHTS - AS / NZS 2293.1:2018 (MINIMUM LIGHT LEVEL OF 0.2 LUX) |      |      |      |      |      |      |      |      |      |      |      |      |  |
|--|------|------|------|------|------|------|------|------|------|------|------|------|--|
| Classification   | 2.1m | 2.4m | 2.7m | 3.0m | 3.3m | 3.6m | 4.0m | 4.5m | 5.0m | 6.0m | 7.0m | 8.0m |  |
| D32  | 11.5 | 13.2 | 14.8 | 16.5 | 17.6 | 18.0 | 18.5 | 19.0 | 19.5 | 20.1 | 20.5 | 20.7 |  |
| D40  | 11.5 | 13.2 | 14.8 | 16.5 | 18.1 | 19.5 | 20.1 | 20.7 | 21.2 | 22.1 | 22.6 | 23.0 |  |
| D50  | 11.5 | 13.2 | 14.8 | 16.5 | 18.1 | 19.8 | 21.8 | 22.5 | 23.1 | 24.1 | 24.9 | 25.4 |  |
| D63  | 11.5 | 13.2 | 14.8 | 16.5 | 18.1 | 19.8 | 22.0 | 24.5 | 25.2 | 26.4 | 27.3 | 28.0 |  |

Care should be taken when spacing luminaires at the distances indicated by the shaded regions to ensure conformance to AS/NZS2293.1, Clause 4.3 is maintained. A single emergency luminaire shall not serve an area of greater than 500 m<sup>2</sup>.

For 1 lux and AS/NZS 2293.1:2005 spacing tables please visit: <https://clevertronics.com.au/spacing-tables/>

\*Warranty information located at: <https://clevertronics.com.au/warranty-statement/>

All product data is current as at the version date of the document. We reserve the right to change product design, specifications or materials (Specifications) as part of our continuous improvement program. Please confirm the applicable Specifications at the time of placing your order.

# ARGO WEATHERPROOF 1500MM

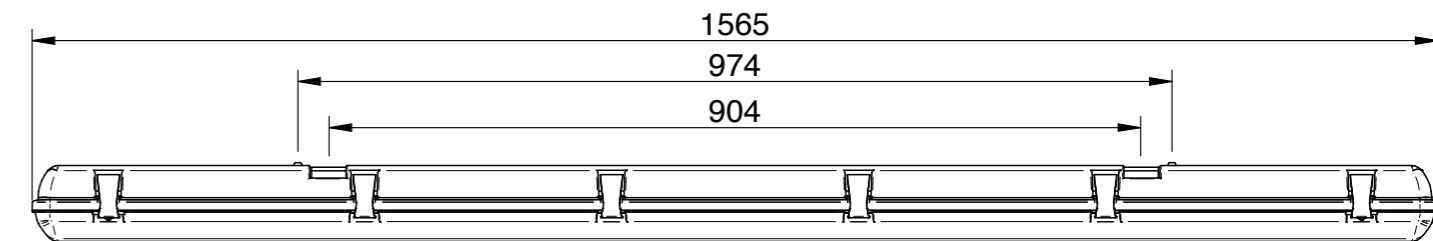
SWITCHABLE COLOUR & DUAL OUTPUT

## NO SENSOR

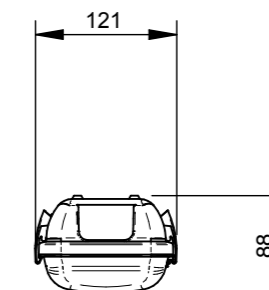
| POWER CONSUMPTION | Standby Charge / Main Lamp On |       |    | Main Lamp On |    |        | LUMEN OUTPUT |        |    | LUMENS / WATT |  |         |
|-------------------|-------------------------------|-------|----|--------------|----|--------|--------------|--------|----|---------------|--|---------|
|                   | OUTPUT (1200mA)               | TS    | LP | STANDARD     | TS | LP     | STANDARD     | TS     | LP | STANDARD      |  |         |
| 3000K             |                               | 56.5W |    | 56.1W        |    | 5904lm |              | 5904lm |    | 104lm/W       |  | 105lm/W |
| 4000K DEFAULT     |                               | 53.6W |    | 52.7W        |    | 6244lm |              | 6244lm |    | 116lm/W       |  | 118lm/W |
| 5700K             |                               | 56.5W |    | 56.5W        |    | 5631lm |              | 5631lm |    | 100lm/W       |  | 100lm/W |

## SENSOR

| POWER CONSUMPTION | "Standby Charge / Main Lamp On" |       |    | Main Lamp On |    |      | "Standby Charge / Main Lamp On @ Min. 10%" |       |    | "Main Lamp On @ Min. 10%" |    |        | LUMEN OUTPUT |        |    | LUMENS / WATT |  |         |
|-------------------|---------------------------------|-------|----|--------------|----|------|--|-------|----|---------------------------|----|--------|--------------|--------|----|---------------|--|---------|
|                   | OUTPUT (1200mA)                 | TS    | LP | STANDARD     | TS | LP   | STANDARD                                   | TS    | LP | STANDARD                  | TS | LP     | STANDARD     | TS     | LP | STANDARD      |  |         |
| 3000K             |                                 | 58.2W |    | 57.8W        |    | 9.7W |  | 11.1W |    | 8.4W                      |    | 5904lm |              | 5904lm |    | 101lm/W       |  | 102lm/W |
| 4000K DEFAULT     |                                 | 54.6W |    | 54.2W        |    | 9.5W |  | 10.9W |    | 8.2W                      |    | 6244lm |              | 6244lm |    | 114lm/W       |  | 115lm/W |
| 5700K             |                                 | 57.8W |    | 57.4W        |    | 9.6W |  | 11.0W |    | 8.3W                      |    | 5631lm |              | 5631lm |    | 97lm/W        |  | 98lm/W  |



Dimensions (mm)



All product data is current as at the version date of the document. We reserve the right to change product design, specifications or materials (Specifications) as part of our continuous improvement program. Please confirm the applicable Specifications at the time of placing your order.

**Victoria**

1 Caribbean Drive  
Scoresby VIC 3179  
Phone: +61 3 9559 2700  
Fax: +61 3 9559 2799  
Email: [statemgrvic@clevertronics.com.au](mailto:statemgrvic@clevertronics.com.au)

**New South Wales**

9 Distribution Place  
Seven Hills NSW 2147  
Phone: +61 2 8805 6400  
Fax: +61 2 8805 6444  
Email: [statemgrnsw@clevertronics.com.au](mailto:statemgrnsw@clevertronics.com.au)

**Queensland**

2/8-12 Monte-Khoury Drive  
Loganholme QLD 4129  
Phone: +61 7 3442 9700  
Fax: +61 7 3442 9777  
Email: [statemgrqld@clevertronics.com.au](mailto:statemgrqld@clevertronics.com.au)

**Western Australia**

12 Milly Court  
Malaga WA 6090  
Phone: +61 8 9207 0000  
Fax: +61 8 9248 3725  
Email: [statemgrwa@clevertronics.com.au](mailto:statemgrwa@clevertronics.com.au)

**South Australia**

U2/19 Main Terrace  
Richmond SA 5033  
Phone: +61 8 8301 8800  
Fax: +61 8 8351 8286  
Email: [statemgrsa@clevertronics.com.au](mailto:statemgrsa@clevertronics.com.au)

**Auckland**

Unit 22/761 Great South Road  
Penrose Auckland 1061  
Phone: +64 800 548 448  
Email: [info@clevertronics.co.nz](mailto:info@clevertronics.co.nz)

**Christchurch**

163C Wordsworth Street  
Sydenham Christchurch 8023  
Phone: +64 800 548 448  
Email: [info@clevertronics.co.nz](mailto:info@clevertronics.co.nz)



[clevertronics.com.au](http://clevertronics.com.au)